



Appliance Data Sheet

Product Type

Electric Oven

Product Code

AQ1003SS



Product Description

60cm Built in Electric Oven



Features / Specification

Barcode

8422248609296

Colour

Black and Silver

Cooking Type

True Fan

Control Type

Mechanical

Timer

Digital Electronic

Self Cleaning

No

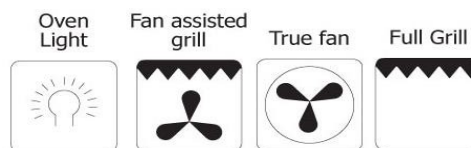
No of Shelves

1

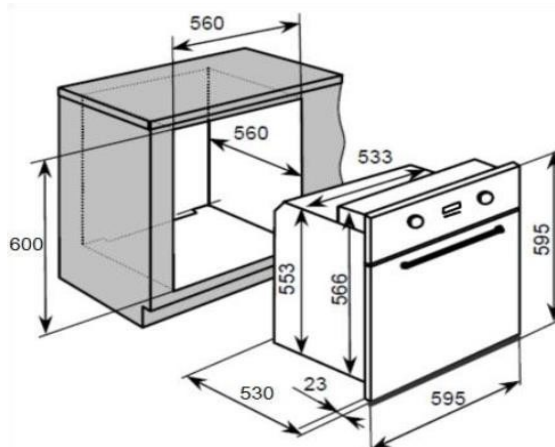
Oven Light

Yes

Functions



Dimensions & Technical Information



Product Dimensions width x depth x height

595 X 530 X 595 mm

Packed Dimensions width x depth x height

637 X 570 X 630 mm

Product Weight (kg)

29

Max Power

2.2 kW

Supply Connection

13A

Guarantees:

Normal Domestic Use (with registration) – 5 Year parts & 2 Year labour
 Normal Domestic Use (no registration) – 2 Year parts & 2 Year labour
 Rental / Service Accommodation - 2 Year parts & 2 Year labour
 Student Accommodation - 2 Year parts & 2 Year labour
 Commercial Usage – No Guarantee offered