

Product Type

Electric Oven

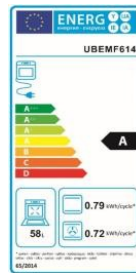
Product Code

AQ1005WH



Product Description

60cm Multifunction Fan Oven



Features / Specification

Barcode

8422248610667

Colour

White/Stainless Steel

Cooking Type

Multifunction

Control Type

Manual

Timer

Touch Control

Self Cleaning

No

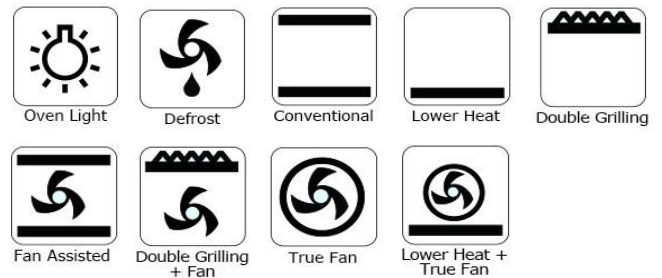
No of Shelves

1

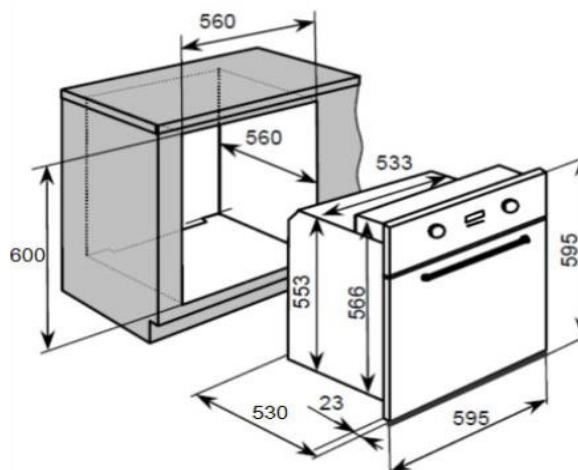
Oven Light

Yes

Functions



Dimensions & Technical Information



Product Dimensions width x depth x height

595 x 530 x 595mm

Packed Dimensions width x depth x height

637 x 570 x 630mm

Product Weight (kg)

30kg Packed / 27kg Unpacked

Max Power

2900W

Supply Connection

13A

Guarantees:

Normal Domestic Use (with registration) – 5 Year parts & 2 Year labour
 Normal Domestic Use (no registration) – 2 Year parts & 2 Year labour
 Rental / Service Accommodation - 2 Year parts & 2 Year labour
 Student Accommodation - 2 Year parts & 2 Year labour
 Commercial Usage – No Guarantee offered