

Product Type
Electric Oven
Product Code
AQ1501SS

Product Description

60cm Multifunction Electric Oven


Features / Specification

Barcode

8422248606158

Colour

Black

Cooking Type

Fan Oven / Conventional Oven

Control Type

Mechanical

Timer

Digital Electronic

Self Cleaning

No

No of Shelves

1

Oven Light

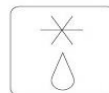
Yes

Functions

Oven Light



Defrost mode



Bottom heat



Conventional oven



Fan assisted



Small Grill



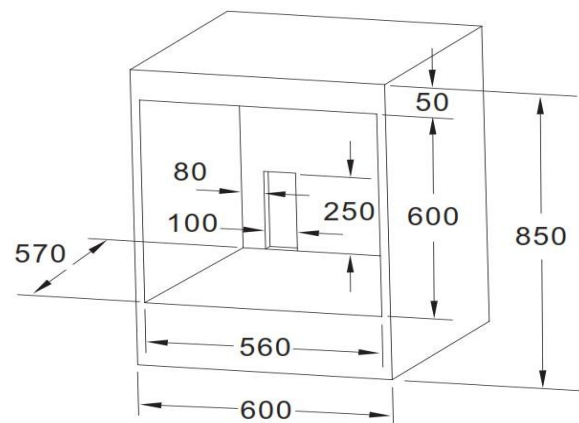
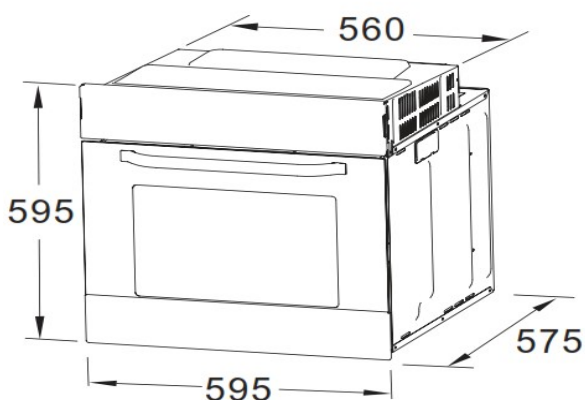
Double grilling



Double grilling with fan



True fan


Dimensions & Technical Information


Product Dimensions width x depth x height

595 x 575 x 595mm

Packed Dimensions width x depth x height

648 x 688 x 670mm

Product Weight (kg)

32.5kg

Max Power

2900W

Supply Connection

13A

Guarantees:

Normal Domestic Use (with registration) – 5 Year parts & 2 Year labour
 Normal Domestic Use (no registration) – 2 Year parts & 2 Year labour
 Rental / Service Accommodation - 2 Year parts & 2 Year labour
 Student Accommodation - 2 Year parts & 2 Year labour
 Commercial Usage – No Guarantee offered