

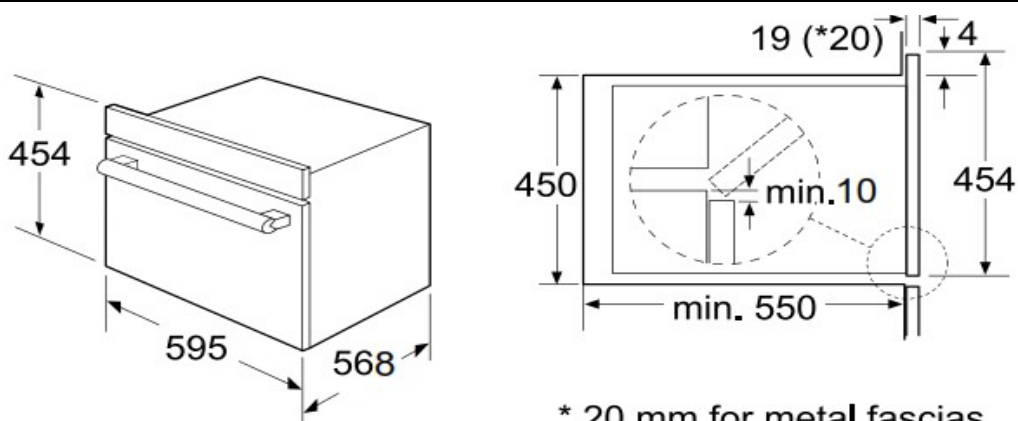
Product Type
Microwave
Product Code
AQ2502SS

Product Description

Combination Microwave


Features / Specification

Barcode	8422248609500
Colour	Black / Stainless Steel
Capacity	44L
Microwave Power	900W
Grill Power	1750W
Convection Power	1750W
LED Display	Yes (RED)
Auto Cooking Programmes	Yes
Defrost	Yes
GlassTurntable Diameter	360mm
Quick Start	Yes
Child Safety Lock	Yes
Push Button Door Release	No
Combination cooking	Yes

Dimensions & Technical Information


Product Dimensions width x depth x height	595 x 568 x 454mm
Installed Depth	548mm
Packed Dimensions width x depth x height	700 x 670 x 550mm
Product Weight (kg)	44kg Packed 36kg Unpacked
Supply Connection	16 Amp

Guarantees:

Normal Domestic Use (with registration) – 5 Year parts & 2 Year labour
 Normal Domestic Use (no registration) – 2 Year parts & 2 Year labour
 Rental / Service Accommodation - 2 Year parts & 2 Year labour
 Student Accommodation - 2 Year parts & 2 Year labour
 Commercial Usage – No Guarantee offered