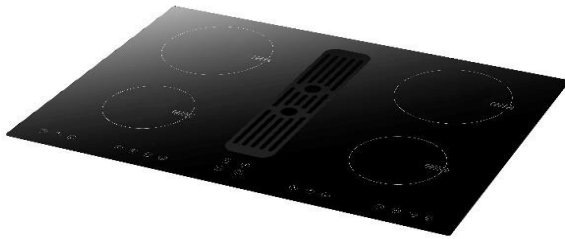


**Product Type**

**Electric Hob / Cooker Hood**

**Product Code**

**AQ3751BG**



**Product Description**

Induction Hob with Built In Extractor



**Hob Features / Specification**

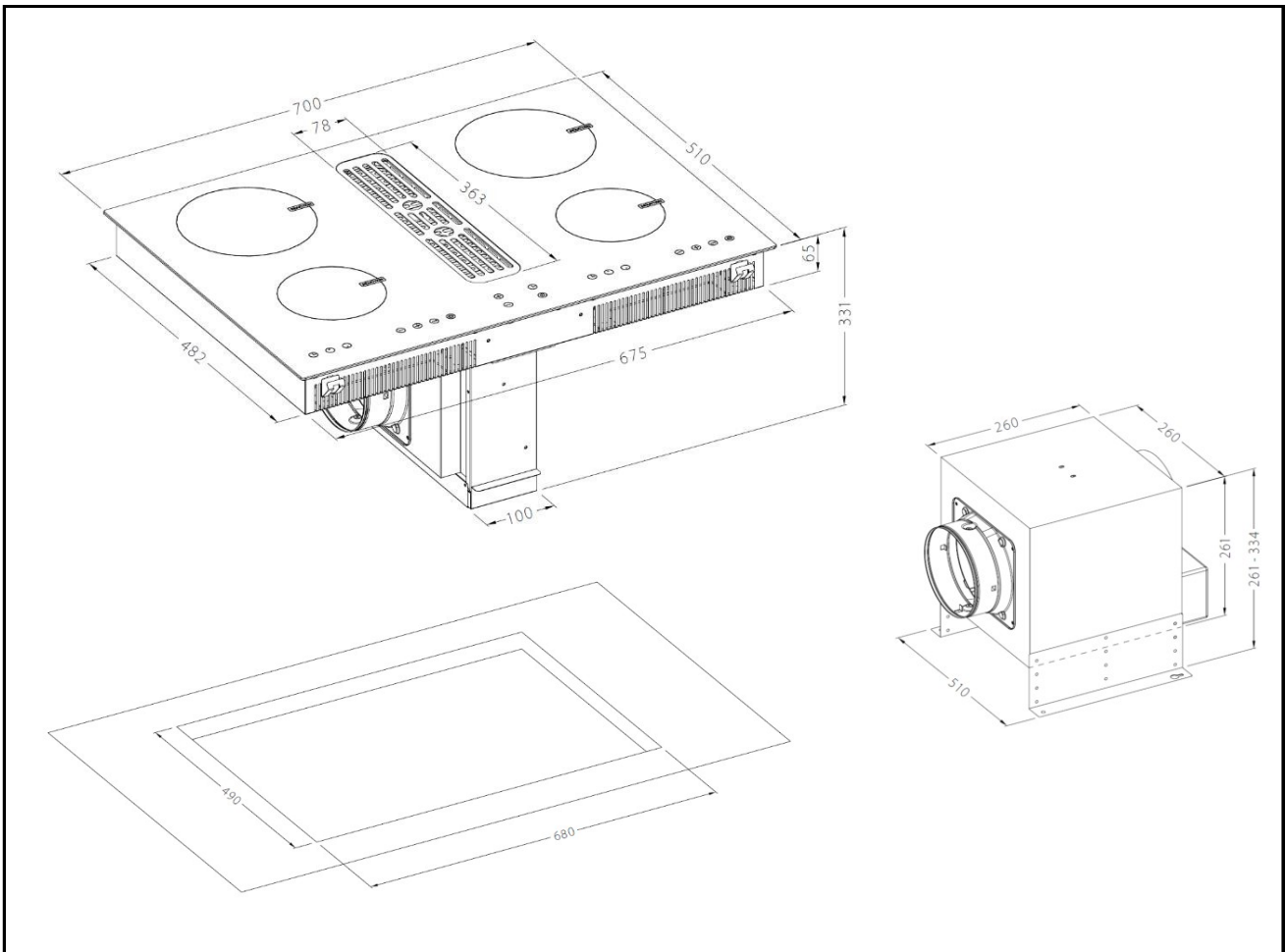
Barcode	8422248611763
Colour	Black
Hob Surface Material	Ceramic Glass
No of Cooking Zones	4
Heat Indicator Light	Yes
Timer	Yes
Child Safety Lock	Yes
Type of Control	Touch Control
Number of Power Levels	9
Keep Warm Function	No
Boost Function	No
Maximum Power	8kW
Extraction Grille	Black, Copper or Stainless Steel (included)

**Cooker Hood Features / Specification**

Barcode	8422248611763
Colour	Stainless Steel
Hood Width	363mm
Fan Speeds	3
Extraction Rate (freeflow)	1000 m3/h
Extraction Rate (EU66)	504 m3/h
Lights	N/A
Grease Filter	YES
Controls	Touch Control
Noise Level	N/A
Carbon Filters	1 x 1309800315 Carbon Filter Sheet (included)
Filter Fixing Bars	2 x 1309800316 Iron Wire (included)
Air Outlet Diameter	150mm
Motor Rating	380W
Maximum Load	380W
Chimney Extension	N/A

**Guarantees:**

Normal Domestic Use (with registration) – 5 Year parts & 2 Year labour  
 Normal Domestic Use (no registration) – 2 Year parts & 2 Year labour  
 Rental / Service Accommodation - 2 Year parts & 2 Year labour  
 Student Accommodation - 2 Year parts & 2 Year labour  
 Commercial Usage – No Guarantee offered



**Overall Weight and Dimensions**

Hob Dimensions width x depth x height	700mm x 510mm x 331mm
Fan Motor Dimensions width x depth x height	510mm x 260mm x 261mm - 334mm
Packed Dimensions width x depth x height	810mm x 600mm x 445mm
Product Weight (kg)	26kg Packed / 21kg Unpacked
Cut Out Dimension	680mm x 490mm
Complete Appliance Max Power	8380 watts