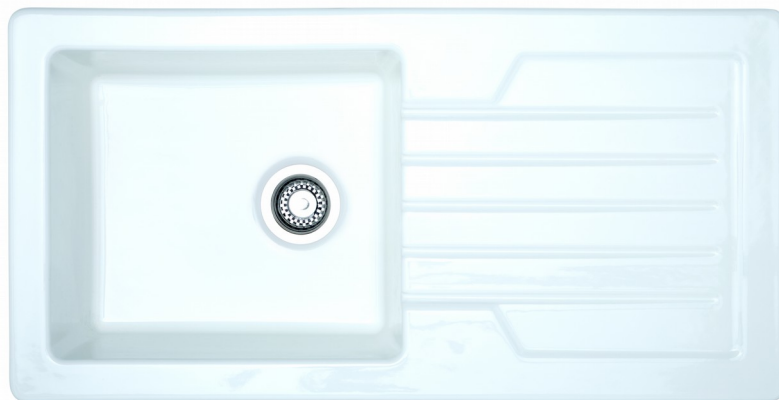


CAPELLA

Ceramic
Single Bowl & Drainer
Reversible



Features

Lifetime Manufacturers Warranty

CE Approved

1000mm x 500mm overall size, with 222mm "DEEP" main bowl

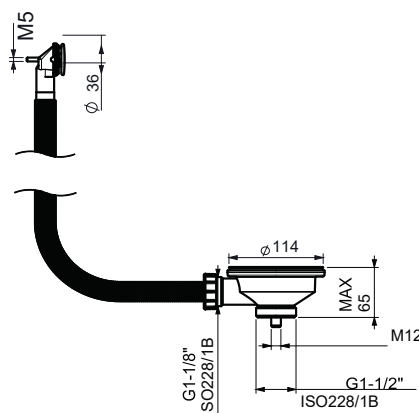
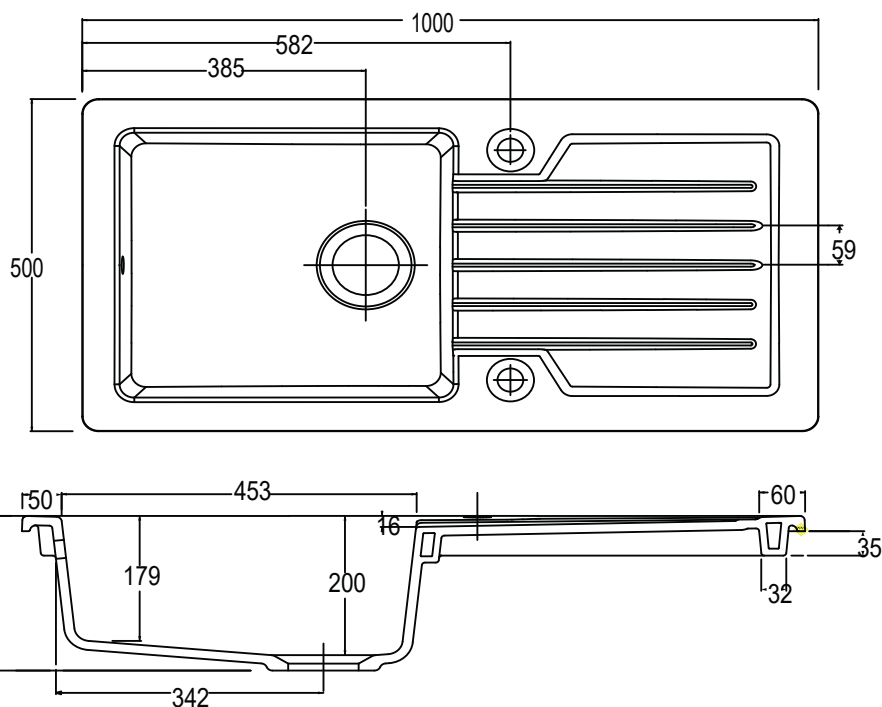
FFC (Fine fireclay material) with hygienic glazed surface

Can be installed as LH or RH drainer

Supplied complete with 1x90mm waste and overflow

Minimum cabinet width required (600mm for bowl), Waste disposal compatible

+/- 2% tolerance in manufacturing



LLANDAFF LAMINATES LTD

DISTRIBUTORS OF DECORATIVE LAMINATES, WORKTOPS, SHEET MATERIALS,
APPLIANCES & KITCHEN PRODUCTS

Unit B, Capital Point,
Capital Business Park,
Parkway, Cardiff, CF3 2PY

02920 777 333

www.llandafflaminates.co.uk

sales@llandafflaminates.co.uk