

CAPELLA

1.5 Bowl & Drainer Reversible



Features

Lifetime Manufacturers Warranty

CE Approved

1000mm x 500mm overall size, with 222mm "DEEP" main bowl

Internal 327mm x 427mm (main bowl)
161mm x 272mm (small bowl)

FFC (Fine fireclay material) with hygienic glazed surface

Can be installed as LH or RH drainer

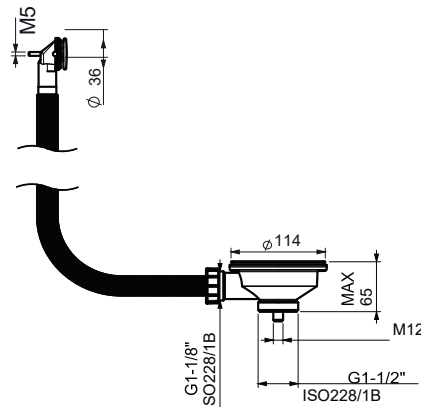
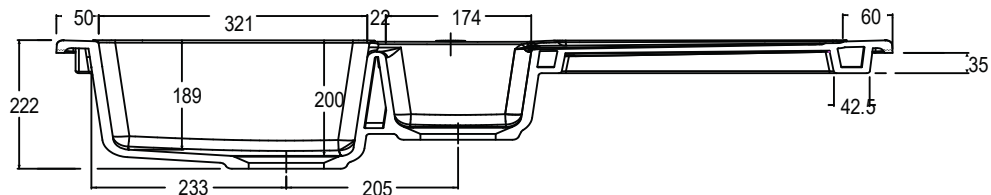
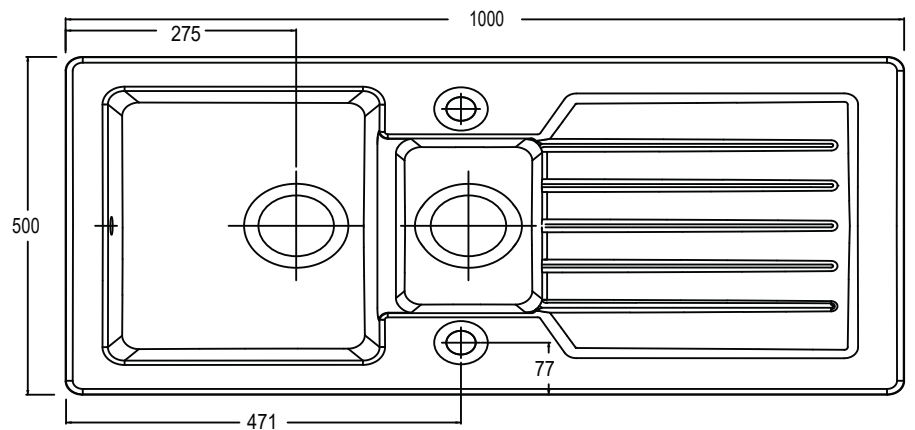
Supplied complete with 2x90mm wastes and overflow (chrome finish)

Minimum cabinet width required (600mm), Waste disposal compatible

+/- 2% tolerance in manufacturing

**LIFETIME
WARRANTY**

**CE
APPROVED**



LLANDAFF LAMINATES LTD

**DISTRIBUTORS OF DECORATIVE LAMINATES, WORKTOPS, SHEET MATERIALS,
APPLIANCES & KITCHEN PRODUCTS**

Unit B, Capital Point,
Capital Business Park,
Parkway, Cardiff, CF3 2PY

02920 777 333

www.llandafflaminates.co.uk

sales@llandafflaminates.co.uk