

LYNX 1.5 Bowl & Drainer



Features

Lifetime Manufacturers Warranty

CE Approved

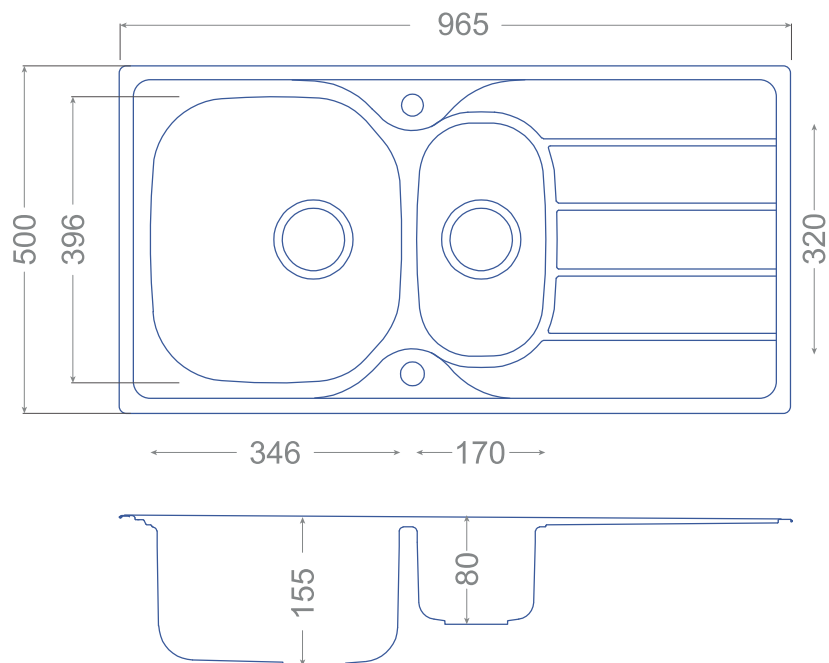
965mm x 500mm overall size with
160mm deep main bowl

Reversible drainer design, ss304
(0.6mm) steel

Supplied complete with waste, round
overflow and fitting clips

Minimum cabinet width required
600mm

Waste disposal compatible



**LIFETIME
WARRANTY**

**CE
APPROVED**

LLANDAFF LAMINATES LTD

**DISTRIBUTORS OF DECORATIVE LAMINATES, WORKTOPS, SHEET MATERIALS,
APPLIANCES & KITCHEN PRODUCTS**

Unit B, Capital Point,
Capital Business Park,
Parkway, Cardiff, CF3 2PY

02920 777 333

www.llandafflaminates.co.uk

sales@llandafflaminates.co.uk