

ORION

1.5 Bowl & Drainer



Features

Lifetime Manufacturers Warranty

CE Approved

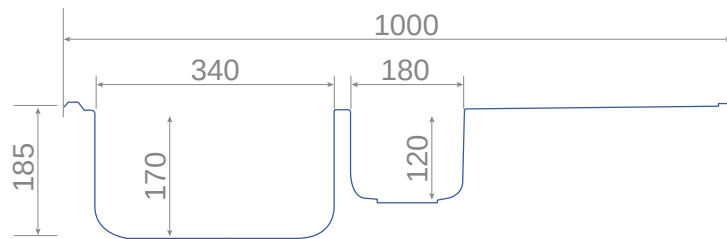
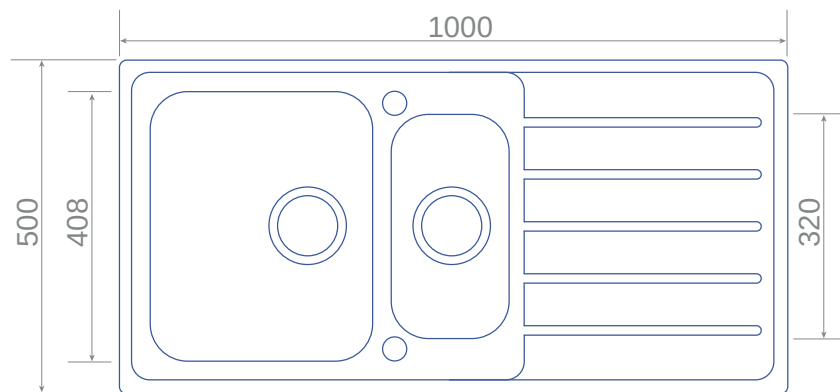
1000mm x 500mm overall size, with 185mm main bowl

Reversible drainer design, ss304 (0.6mm) steel

Supplied complete with waste, hygienic overflow and fitting clips

Minimum cabinet width required 600mm

Waste disposal compatible



LLANDAFF LAMINATES LTD

DISTRIBUTORS OF DECORATIVE LAMINATES, WORKTOPS, SHEET MATERIALS,
APPLIANCES & KITCHEN PRODUCTS

Unit B, Capital Point,
Capital Business Park,
Parkway, Cardiff, CF3 2PY

02920 777 333

www.llandafflaminates.co.uk

sales@llandafflaminates.co.uk