

VEGA

Reversible
1.5 Bowl Undermount



Features

Lifetime Manufacturers Warranty

CE Approved

595mm x 460mm overall size, 185mm deep main bowl

Internal 350mm x 410mm (main bowl)
164mm x 300mm (small bowl)

ss304 (0.8mm) steel, powder coated underside

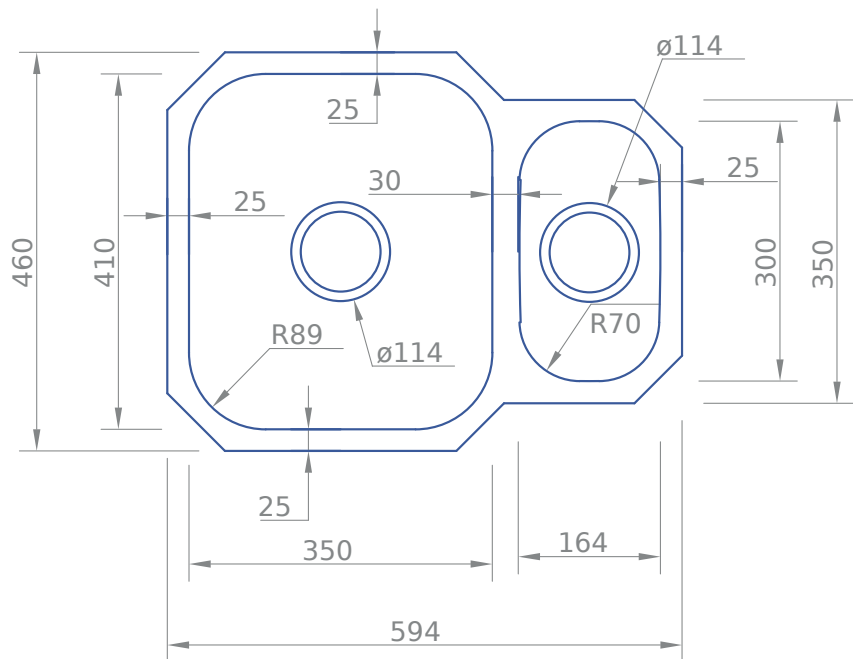
Supplied complete with wastes and hygienic overflow

Minimum cabinet width required 600mm

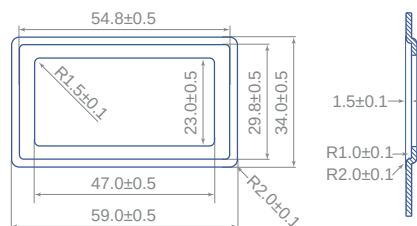
Waste disposal compatible

**LIFETIME
WARRANTY**

**CE
APPROVED**



Overflow specifications



LLANDAFF LAMINATES LTD

**DISTRIBUTORS OF DECORATIVE LAMINATES, WORKTOPS, SHEET MATERIALS,
APPLIANCES & KITCHEN PRODUCTS**

Unit B, Capital Point,
Capital Business Park,
Parkway, Cardiff, CF3 2PY

02920 777 333

www.llandafflaminates.co.uk

sales@llandafflaminates.co.uk